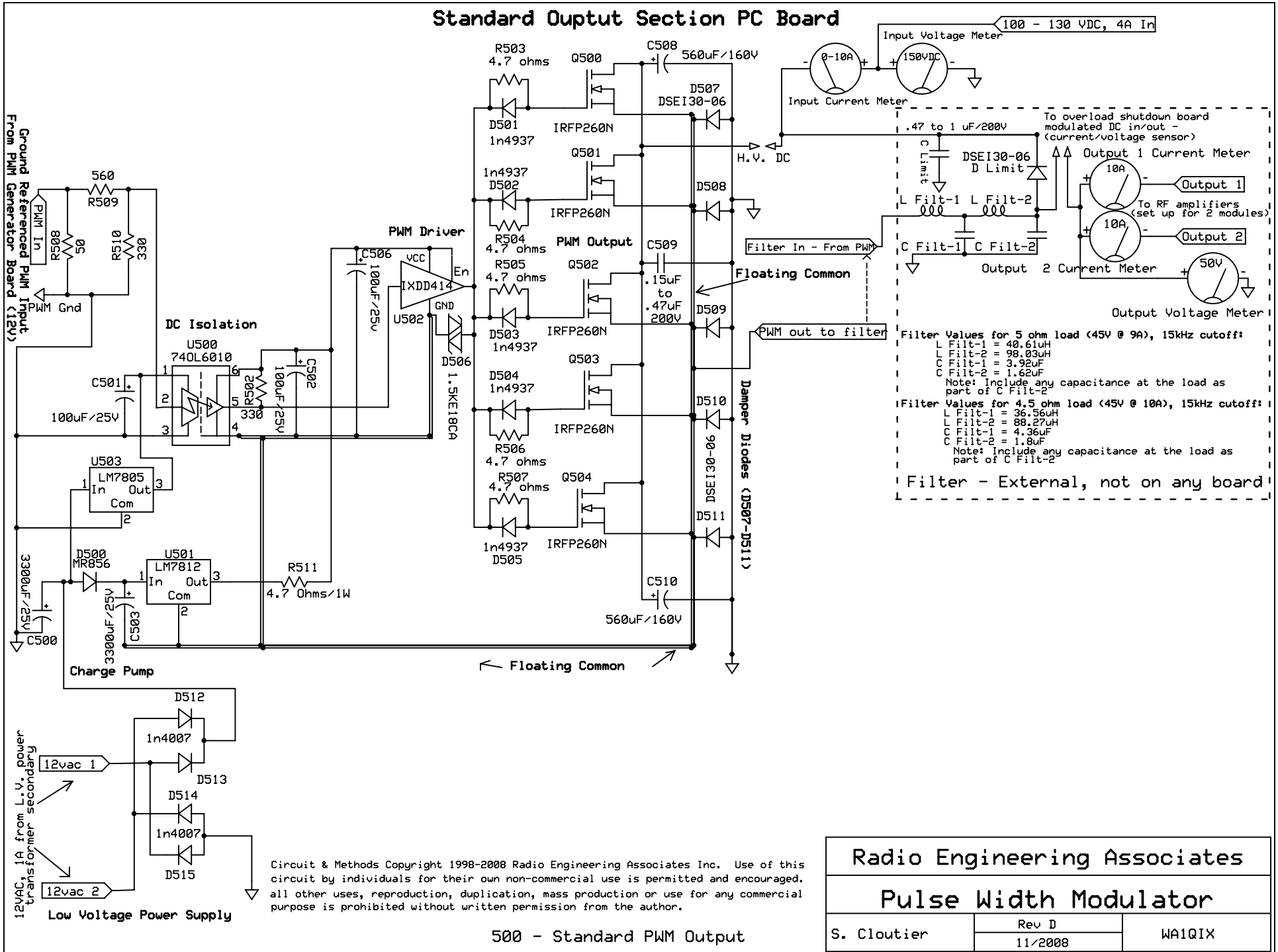


Standard Output Section PC Board



Circuit & Methods Copyright 1998-2008 Radio Engineering Associates Inc. Use of this circuit by individuals for their own non-commercial use is permitted and encouraged. all other uses, reproduction, duplication, mass production or use for any commercial purpose is prohibited without written permission from the author.

500 - Standard PWM Output

Radio Engineering Associates

Pulse Width Modulator

S. Cloutier

Rev D
11/2008

WA1QIX