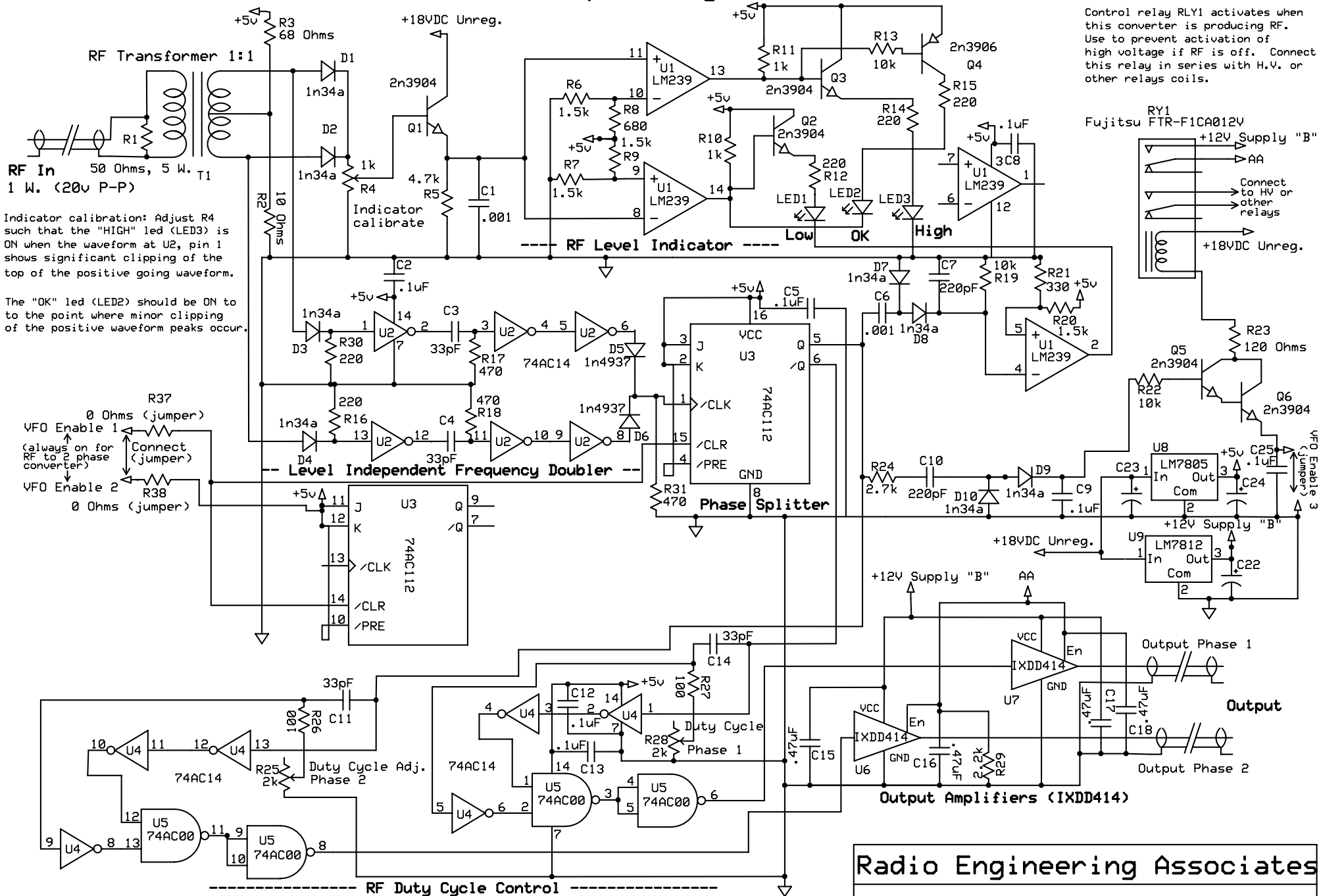


Sine wave RF to 2 phase digital RF converter



Circuit and methods copyright 2008-2012 Radio Engineering Associates Inc. Patents Pending U.S. Patent & Trade Office.

Use of this circuit is expressly granted to individual amateurs and experimenters for their own individual, non-commercial use. Any other uses, reproduction, production, derivative works or duplication, in part or full, is prohibited without express, written permission of the author.

Radio Engineering Associates

Sine wave RF to 2 phase digital RF converter

S. Cloutier

Rev D

4/21/2012

Page 1 of 1